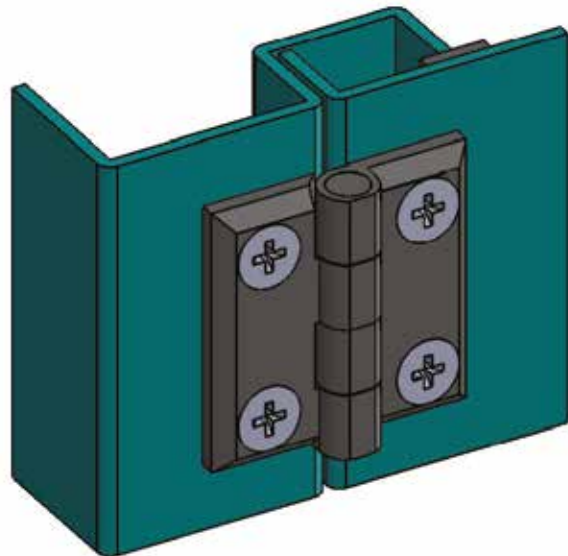
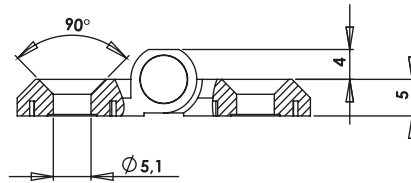
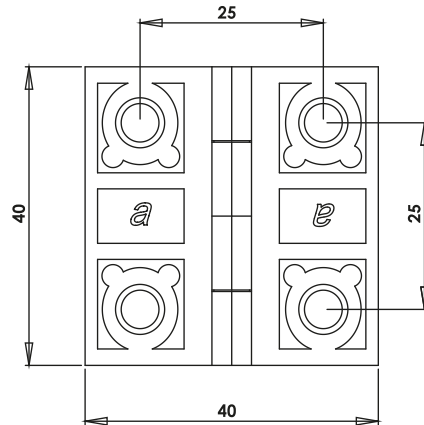


**CERNIERA
A LIBRO**

MY4040.1.5.4

LEAF HINGE (40*40mm-Black Coated-Hole)



Applications

- * Electric Panels
- * Machinery Covers

Material

- * 1: Body : Zamak
DIN-EN 1774-ZnAl4Cu1
- 35: Gövde : Polyamide DIN-EN ISO
1043-1 PA6 GFR30
- * Pin : Steel St 37
- * 2: Finish: Chrome
- 5: Finish: Black Coated
- 0: Uncoated
- * Hinge Rotation Angle: 180 °